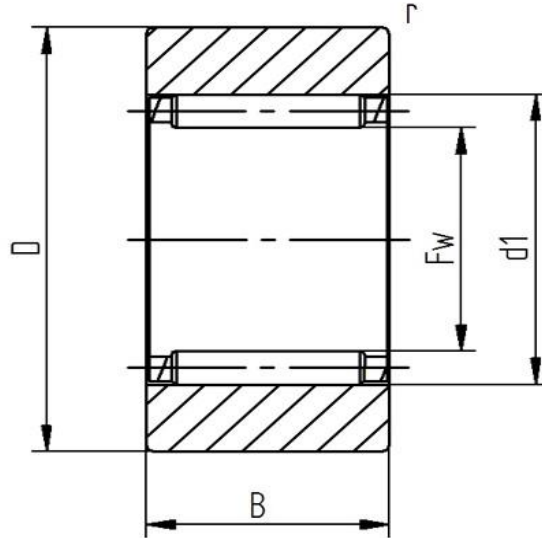


Data sheet - Support roller RSTO 30TN X (cylindrical)

Designation	RSTO 30 X
Type	cylindrical
D [mm]	62
d [mm]	
F, Fw * [mm max.]	38
B1 [mm]	
B [mm]	19,8
d1 [mm]	46
r [mm]	0,6
Dynamic load Crw [N]	23300
Static load C0rw [N]	35000
Speed limit [min-1]	2500



Every specification has been edited and verified carefully. STI Bearings GmbH assumes no liability for potential errors or incompleteness. Technical modifications are subject of changes.
 © 2020 by STI Bearings GmbH
 Reproduction, even excerpts, only with our approval.