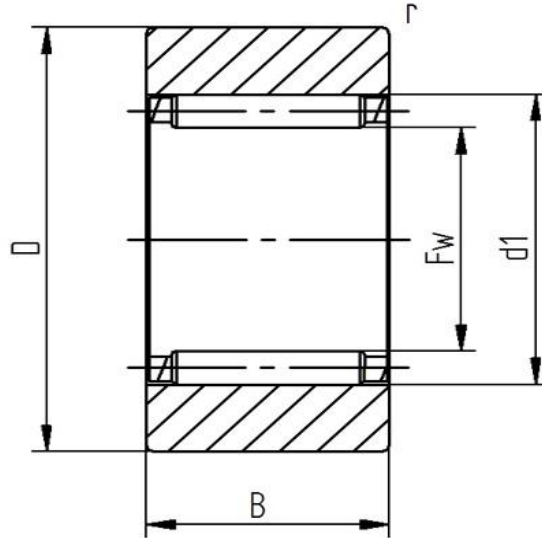


Data sheet - Support roller RSTO 20TN X (cylindrical)

Designation	RSTO 20 X
Type	cylindrical
D [mm]	47
d [mm]	
F, Fw * [mm max.]	25
B1 [mm]	
B [mm]	15,8
d1 [mm]	32
r [mm]	0,3
Dynamic load Crw [N]	16200
Static load C0rw [N]	21500
Speed limit [min ⁻¹]	4700



Every specification has been edited and verified carefully. STI Bearings GmbH assumes no liability for potential errors or incompleteness. Technical modifications are subject of changes.
 © 2020 by STI Bearings GmbH
 Reproduction, even excerpts, only with our approval.