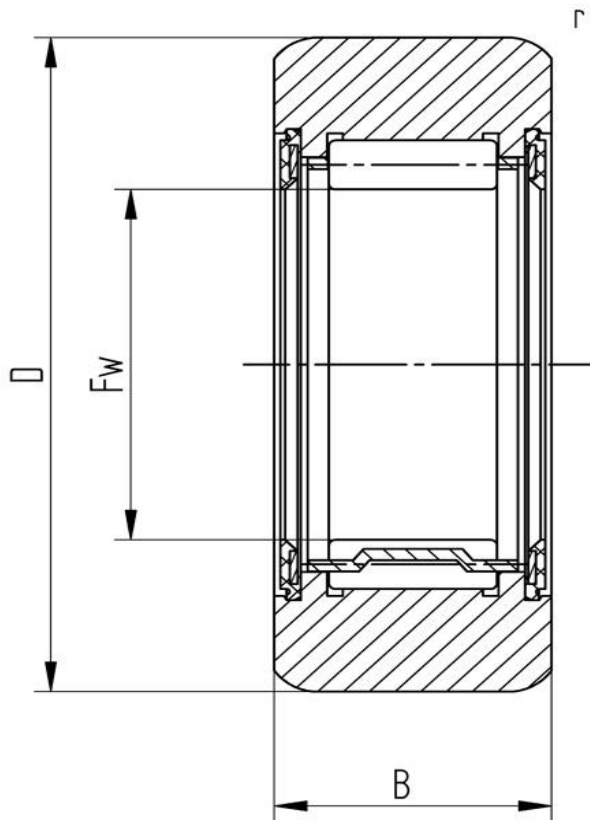


Data sheet

Support roller RNA 2203.2RS X (cylindrical, with seal)

Designation	RNA 2203.2RS X
Type	cylindrical
D [mm]	40
d [mm]	17
F, Fw * [mm max.]	22
B1 [mm]	16
B [mm]	15,8
r [mm]	1
r1 [mm]	0,3
Dynamic load Crw[N]	9900



Every specification has been edited and verified carefully. STI Bearings GmbH assumes no liability for potential errors or incompleteness. Technical modifications are subject of changes.
 © 2020 by STI Bearings GmbH
 Reproduction, even excerpts, only with our approval.