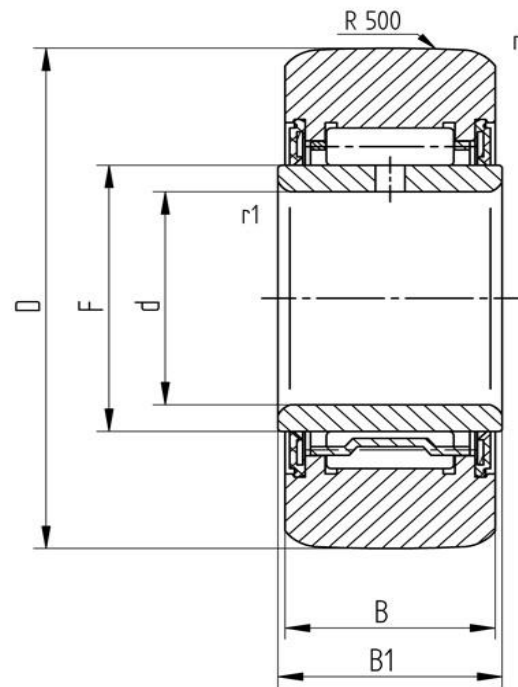


## Data sheet

### Support roller NA 22/6.2RS (crowned, with seal and inner ring)

Designation	NA 22/6.2RS
Type	crowned
D [mm]	19
d [mm]	6
F, Fw * [mm max.]	10
B1 [mm]	12
B [mm]	11,8
r [mm]	0,3
r1 [mm]	0,3
Dynamic load Crw[N]	3900



Every specification has been edited and verified carefully. STI Bearings GmbH assumes no liability for potential errors or incompleteness. Technical modifications are subject of changes.  
 © 2020 by STI Bearings GmbH  
 Reproduction, even excerpts, only with our approval.