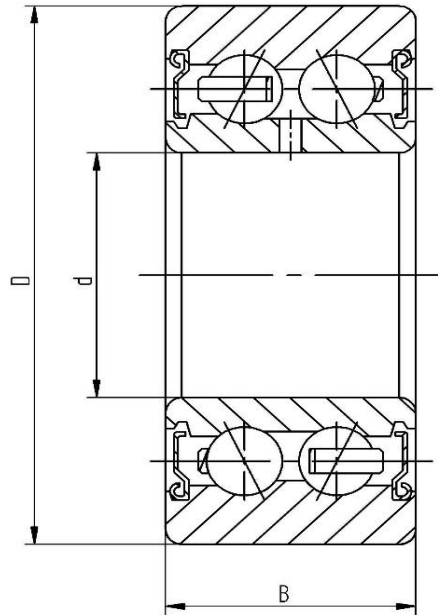


Data sheet - Cam Roller LR5208-2Z-X (cylindrical, with shield)

Designation	LR5208-2Z-X
D [mm]	85
d [mm]	40
B [mm]	30,2
r [mm]	1,1
Dynamic load Crw [N]	35000
Static load C0rw [N]	26000
Speed limit [min-1]	3500



Every specification has been edited and verified carefully. STI Bearings GmbH assumes no liability for potential errors or incompleteness. Technical modifications are subject of changes.
© 2020 by STI Bearings GmbH
Reproduction, even excerpts, only with our approval.