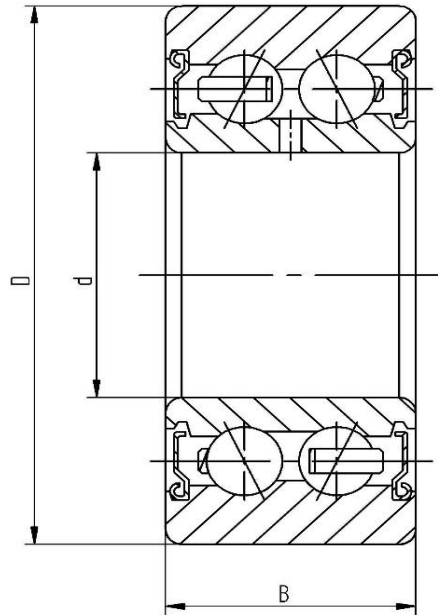


Data sheet - Cam Roller LR5207-2Z-X (cylindrical, with shield)

Designation	LR5207-2Z-X
D [mm]	80
d [mm]	35
B [mm]	27
r [mm]	1,1
Dynamic load Crw [N]	31000
Static load C0rw [N]	22800
Speed limit [min ⁻¹]	3900



Every specification has been edited and verified carefully. STI Bearings GmbH assumes no liability for potential errors or incompleteness. Technical modifications are subject of changes.
© 2020 by STI Bearings GmbH
Reproduction, even excerpts, only with our approval.