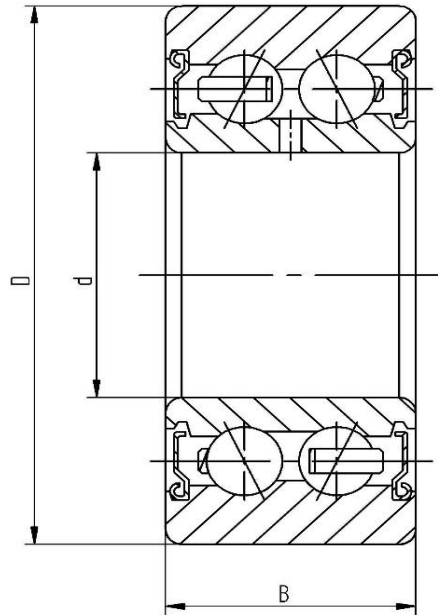


**Data sheet - Cam Roller LR5206-2Z-X (cylindrical, with shield)**

Designation	LR5206-2Z-X
D [mm]	72
d [mm]	30
B [mm]	23,8
r [mm]	1
Dynamic load Crw [N]	25000
Static load C0rw [N]	18000
Speed limit [min-1]	5000



Every specification has been edited and verified carefully. STI Bearings GmbH assumes no liability for potential errors or incompleteness. Technical modifications are subject of changes.  
© 2020 by STI Bearings GmbH  
Reproduction, even excerpts, only with our approval.