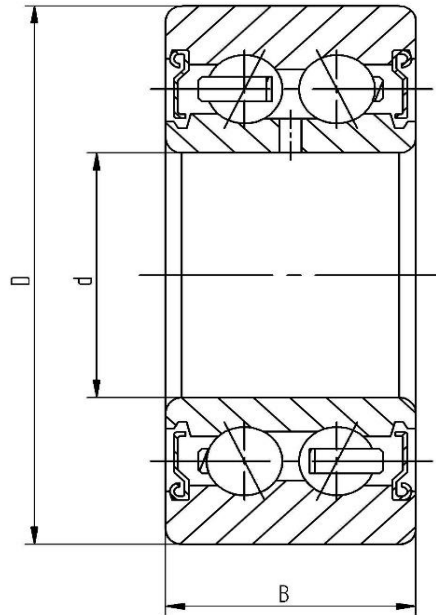


Data sheet - Cam Roller LR5205-2Z-X (cylindrical, with shield)

Designation	LR5205-2Z-X
D [mm]	62
d [mm]	25
B [mm]	20,6
r [mm]	1
Dynamic load Crw [N]	18800
Static load C0rw [N]	13200
Speed limit [min ⁻¹]	6500



Every specification has been edited and verified carefully. STI Bearings GmbH assumes no liability for potential errors or incompleteness. Technical modifications are subject of changes.
© 2020 by STI Bearings GmbH
Reproduction, even excerpts, only with our approval.