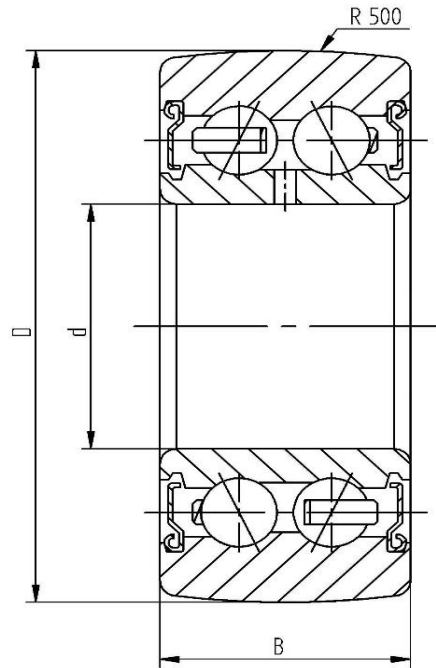


**Data sheet - Cam Roller LR5204-2Z (crowned, with shield)**

Designation	LR5204-2Z
D [mm]	52
d [mm]	20
B [mm]	20,6
r [mm]	1
Dynamic load Crw [N]	16100
Static load C0rw [N]	10700
Speed limit [min <sup>-1</sup> ]	7000



Every specification has been edited and verified carefully. STI Bearings GmbH assumes no liability for potential errors or incompleteness. Technical modifications are subject of changes.  
 © 2020 by STI Bearings GmbH  
 Reproduction, even excerpts, only with our approval.