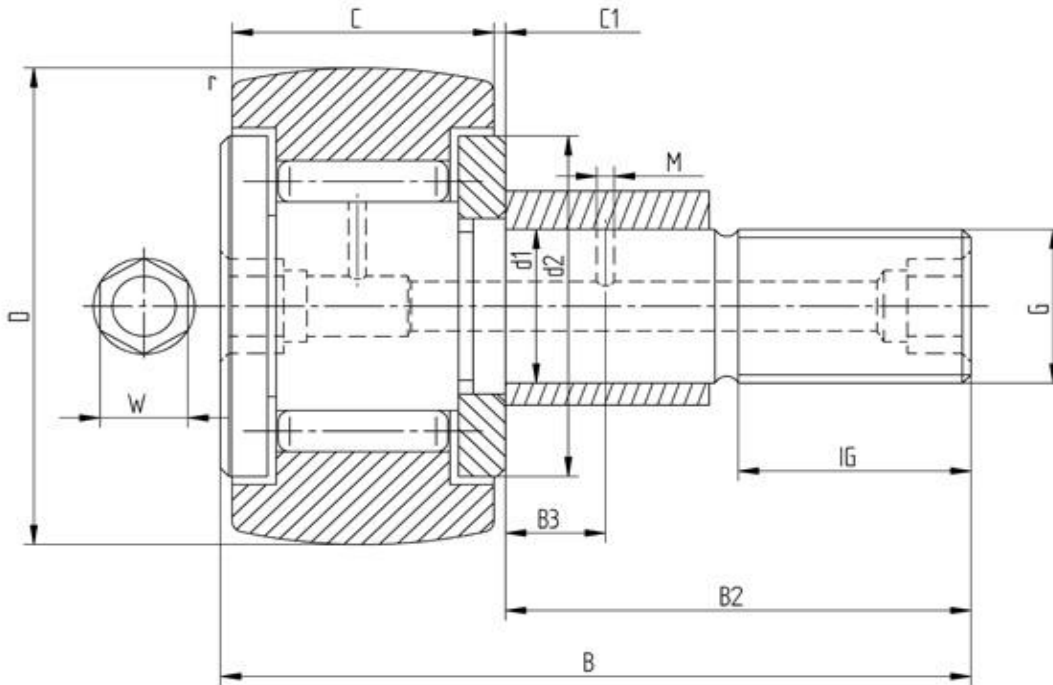


Data sheet - Cam Follower KRVE35 (full needle, eccentric bush)


| Designation | KRVE35 |
|------------------------|---------|
| D [mm] | 35 |
| d1 [mm] | 16 |
| B [mm] | 52 |
| B2 [mm max.] | 32,5 |
| B3 [mm] | 8 |
| C [mm] | 18 |
| C1 [mm] | 0,8 |
| r [mm] | 0,6 |
| d2 [mm] | 27 |
| M [mm] | 3 |
| G | M16x1,5 |
| IG [mm] | 17 |
| W [mm] | 6 |
| Eccentric bush de [mm] | 20 |
| Eccentric bush Be [mm] | 14 |
| Eccentric bush e [mm] | 1 |
| Dynamic load Crw [N] | 12800 |
| Static load C0rw [N] | 23000 |
| Speed limit [min-1] | 3400 |

Every specification has been edited and verified carefully. STI Bearings GmbH assumes no liability for potential errors or incompleteness. Technical modifications are subject of changes.
 © 2020 by STI Bearings GmbH
 Reproduction, even excerpts, only with our approval.