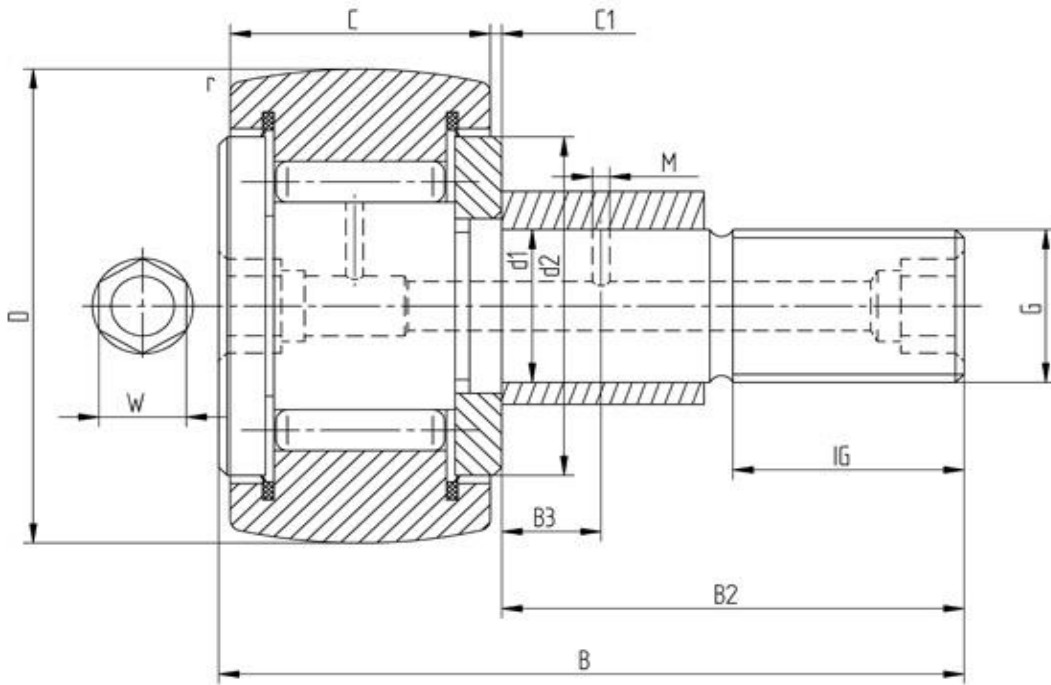


Data sheet - Cam Follower KRVE19PP (full needle, eccentric bush, seal)


| Designation | KRVE19PP |
|------------------------|----------|
| D [mm] | 19 |
| d1 [mm] | 8 |
| B [mm] | 32 |
| B2 [mm max.] | 20 |
| B3 [mm] | - |
| C [mm] | 11 |
| C1 [mm] | 0,6 |
| r [mm] | 0,15 |
| d2 [mm] | 14 |
| M [mm] | - |
| G | M8 |
| IG [mm] | 10 |
| W [mm] | 4 |
| Eccentric bush de [mm] | 11 |
| Eccentric bush Be [mm] | 9 |
| Eccentric bush e [mm] | 0,5 |
| Dynamic load Crw [N] | 5500 |
| Static load C0rw [N] | 7900 |
| Speed limit [min-1] | 7000 |

Every specification has been edited and verified carefully. STI Bearings GmbH assumes no liability for potential errors or incompleteness. Technical modifications are subject of changes.
 © 2020 by STI Bearings GmbH
 Reproduction, even excerpts, only with our approval.