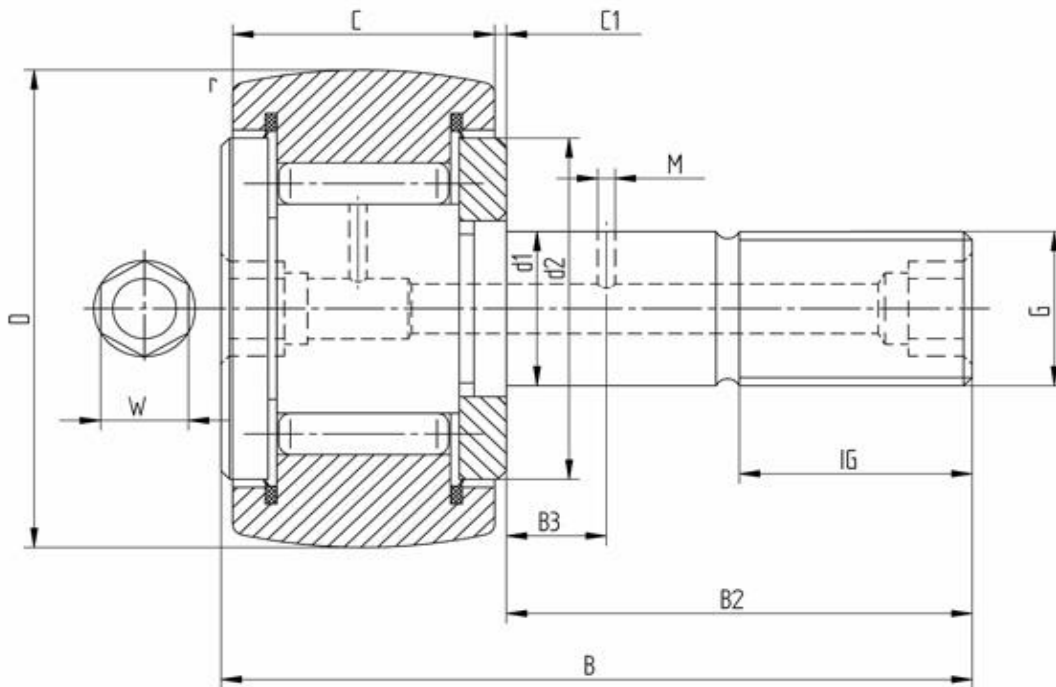


Data sheet - Cam Follower KRV62PP (full needle, seal)


Designation	KRV62PP
D [mm]	62
d1 [mm]	24
B [mm]	80
B2 [mm max.]	49,5
B3 [mm]	11
C [mm]	29
C1 [mm]	0,8
r [mm]	1
d2 [mm]	44
M [mm]	4
G	M24x1,5
IG [mm]	25
W [mm]	8
Eccentric bush de [mm -	
Eccentric bush Be [mm -	
Eccentric bush e [mm] -	
Dynamic load Crw [N]	34000
Static load C0rw [N]	76000
Speed limit [min-1]	2200

Every specification has been edited and verified carefully. STI Bearings GmbH assumes no liability for potential errors or incompleteness. Technical modifications are subject of changes.
 © 2020 by STI Bearings GmbH
 Reproduction, even excerpts, only with our approval.