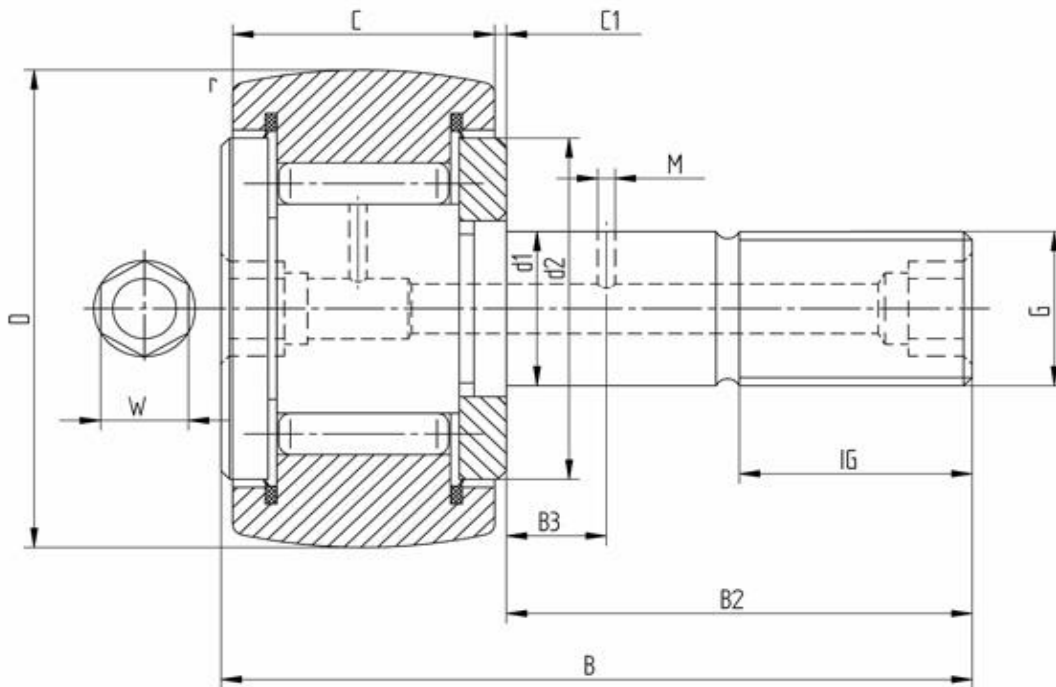


Data sheet - Cam Follower KRV30PP (full needle, seal)


Designation	KRV30PP
D [mm]	30
d1 [mm]	12
B [mm]	40
B2 [mm max.]	25
B3 [mm]	6
C [mm]	14
C1 [mm]	0,6
r [mm]	0,6
d2 [mm]	23
M [mm]	3
G	M12x1,5
IG [mm]	13
W [mm]	6
Eccentric bush de [mm -	
Eccentric bush Be [mm -	
Eccentric bush e [mm] -	
Dynamic load Crw [N]	9500
Static load C0rw [N]	14600
Speed limit [min-1]	4500

Every specification has been edited and verified carefully. STI Bearings GmbH assumes no liability for potential errors or incompleteness. Technical modifications are subject of changes.
 © 2020 by STI Bearings GmbH
 Reproduction, even excerpts, only with our approval.