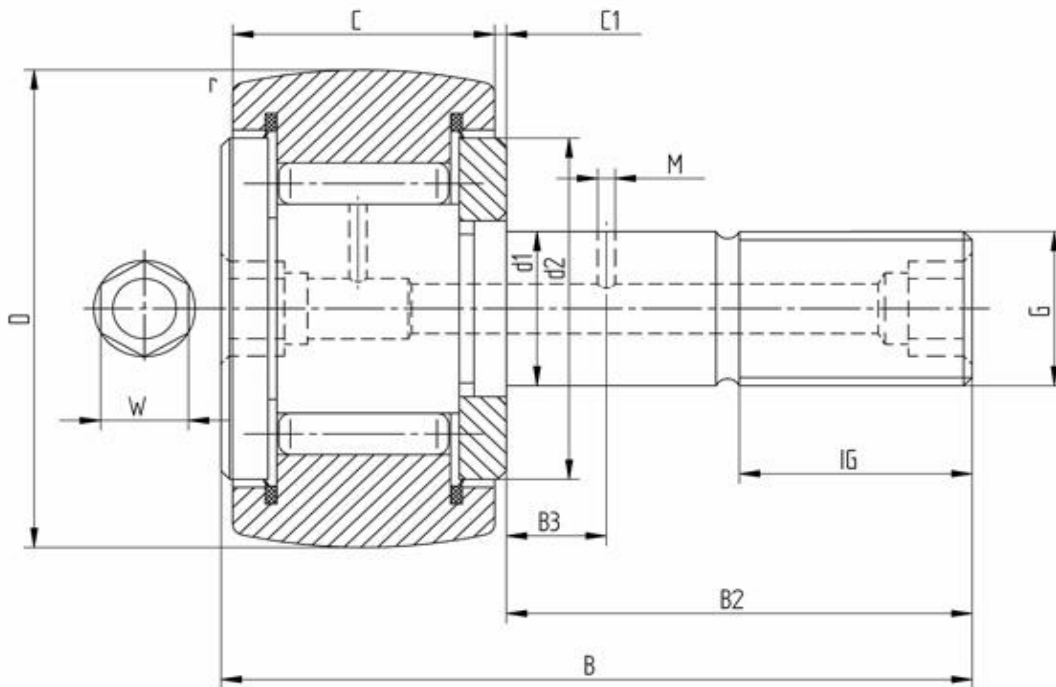


Data sheet - Cam Follower KRV19PP (full needle, seal)


Designation	KRV19PP
D [mm]	19
d1 [mm]	8
B [mm]	32
B2 [mm max.]	20
B3 [mm]	-
C [mm]	11
C1 [mm]	0,6
r [mm]	0,15
d2 [mm]	14
M [mm]	-
G	M8
IG [mm]	10
W [mm]	4
Eccentric bush de [mm -	
Eccentric bush Be [mm -	
Eccentric bush e [mm] -	
Dynamic load Crw [N]	5500
Static load C0rw [N]	7900
Speed limit [min-1]	7000

Every specification has been edited and verified carefully. STI Bearings GmbH assumes no liability for potential errors or incompleteness. Technical modifications are subject of changes.
 © 2020 by STI Bearings GmbH
 Reproduction, even excerpts, only with our approval.