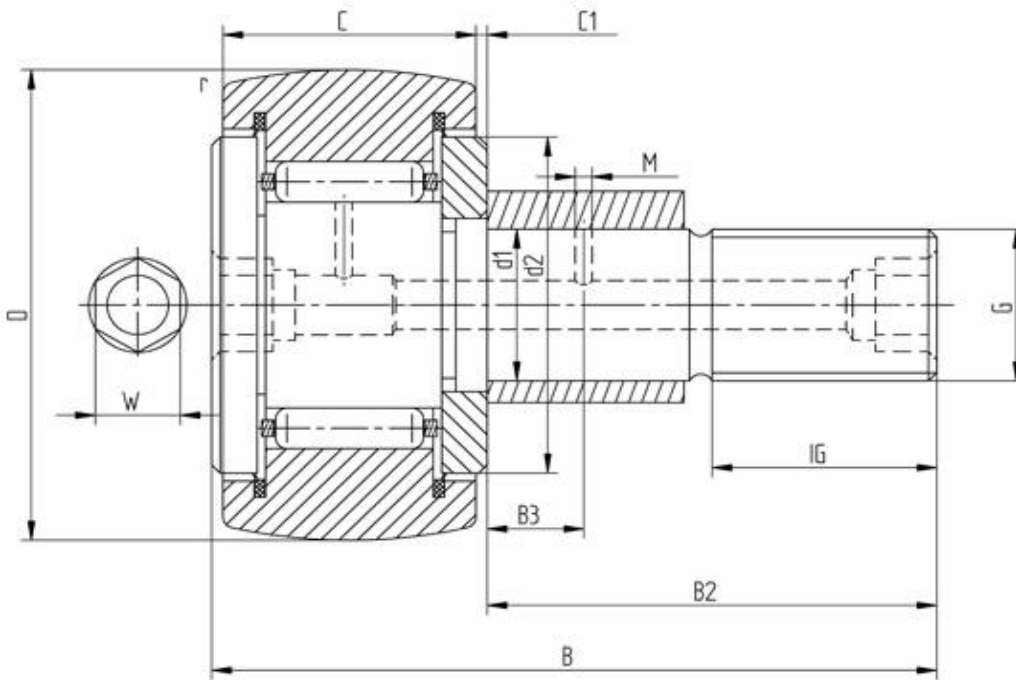


Data sheet - Cam Follower KRE32PP (with cage, eccentric bush, seal)



Designation	KRE32PP
D [mm]	32
d1 [mm]	12
B [mm]	40
B2 [mm max.]	25
B3 [mm]	6
C [mm]	14
C1 [mm]	0,6
r [mm]	0,6
d2 [mm]	23
M [mm]	3
G	M12x1,5
IG [mm]	13
W [mm]	6
Eccentric bush de [mm]	15
Eccentric bush Be [mm]	11
Eccentric bush e [mm]	0,5
Dynamic load Crw [N]	7100
Static load C0rw [N]	9000
Speed limit [min-1]	8300

Every specification has been edited and verified carefully. STI Bearings GmbH assumes no liability for potential errors or incompleteness. Technical modifications are subject of changes.
 © 2020 by STI Bearings GmbH
 Reproduction, even excerpts, only with our approval.