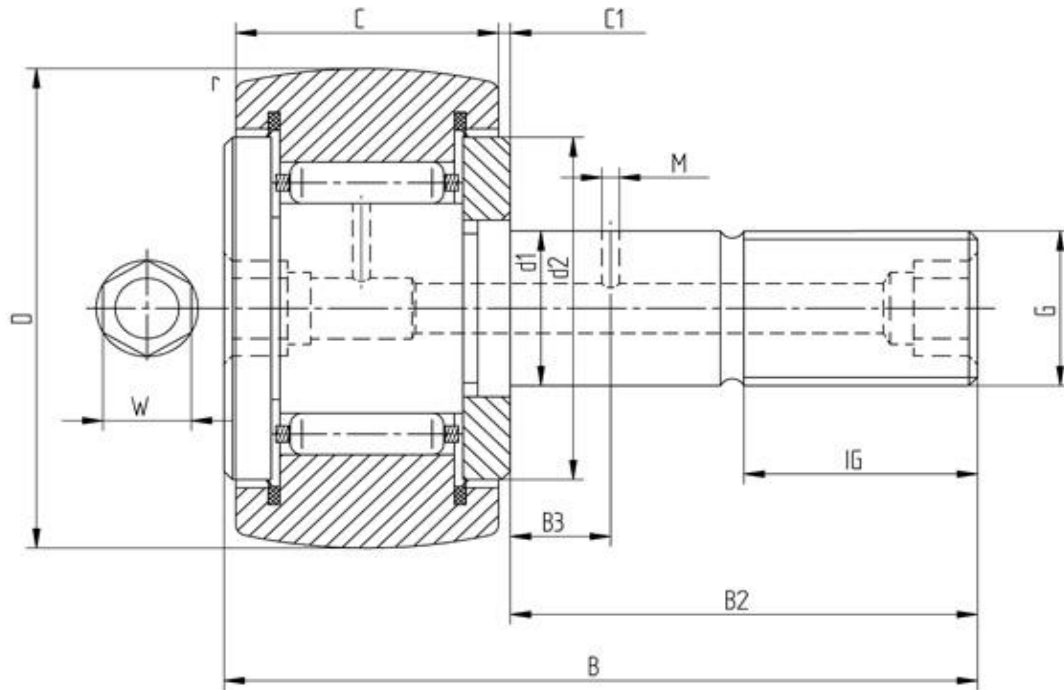


Data sheet - Cam Follower KR40PP (with cage, seal)


| Designation | KR40PP |
|-------------------------|---------|
| D [mm] | 40 |
| d1 [mm] | 18 |
| B [mm] | 58 |
| B2 [mm max.] | 36,5 |
| B3 [mm] | 8 |
| C [mm] | 20 |
| C1 [mm] | 0,8 |
| r [mm] | 1 |
| d2 [mm] | 32 |
| M [mm] | 3 |
| G | M18x1,5 |
| IG [mm] | 19 |
| W [mm] | 6 |
| Eccentric bush de [mm - | |
| Eccentric bush Be [mm - | |
| Eccentric bush e [mm] - | |
| Dynamic load Crw [N] | 10900 |
| Static load C0rw [N] | 15500 |
| Speed limit [min-1] | 6000 |

Every specification has been edited and verified carefully. STI Bearings GmbH assumes no liability for potential errors or incompleteness. Technical modifications are subject of changes.
 © 2020 by STI Bearings GmbH
 Reproduction, even excerpts, only with our approval.