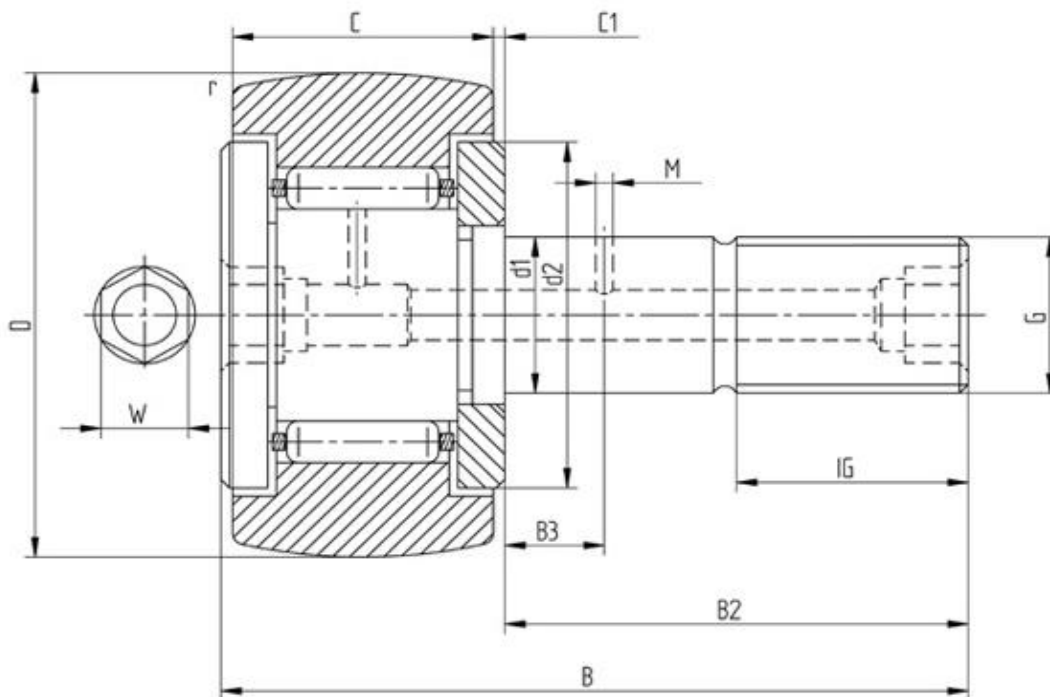


Data sheet - Cam Follower KR22 (with cage)


| Designation | KR22 |
|-------------------------|-------|
| D [mm] | 22 |
| d1 [mm] | 10 |
| B [mm] | 36 |
| B2 [mm max.] | 23 |
| B3 [mm] | - |
| C [mm] | 12 |
| C1 [mm] | 0,6 |
| r [mm] | 0,3 |
| d2 [mm] | 17 |
| M [mm] | - |
| G | M10x1 |
| IG [mm] | 12 |
| W [mm] | 4 |
| Eccentric bush de [mm - | |
| Eccentric bush Be [mm - | |
| Eccentric bush e [mm] - | |
| Dynamic load Crw [N] | 4450 |
| Static load C0rw [N] | 5200 |
| Speed limit [min-1] | 16000 |

Every specification has been edited and verified carefully. STI Bearings GmbH assumes no liability for potential errors or incompleteness. Technical modifications are subject of changes.
 © 2020 by STI Bearings GmbH
 Reproduction, even excerpts, only with our approval.